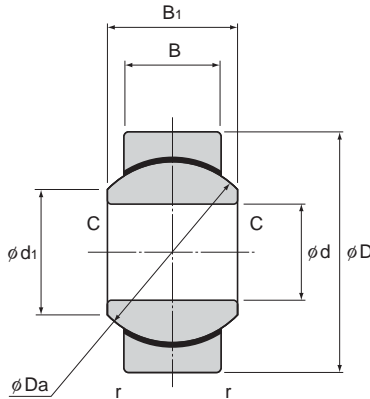


Model HB (No Lubrication Type)/ Build to Order



Unit: mm

Model No.	Outer dimensions						Ball diameter Da mm (inch)	Permissible tilt angles			Static applied load Radial Cs N	Mass g
	Inner diameter d G7	Outer diameter D h7	Outer ring width B ±0.1	Inner ring width B1 0 -0.1	d1	C, r		α ₁ °	α ₂ °	α ₃ °		
	HB 5	5	16	6	8	7.7		0.3	11.112(⁷ / ₁₆)	7		
HB 6	6	18	6.75	9	9	0.3	12.7(¹ / ₂)	7	13	30	16900	13
HB 8	8	22	9	12	10.4	0.5	15.875(⁵ / ₈)	8	14	25	28000	24
HB 10	10	26	10.5	14	12.9	0.5	19.05(³ / ₄)	8	14	25	39200	39
HB 12	12	30	12	16	15.4	0.5	22.225(⁷ / ₈)	8	13	25	52500	58

[Material]

Outer ring : Zinc alloy
 Spherical inner ring : SUJ2, 600 Hv or higher (corrosion resistant coated)
 Bush : Special fluorine resin with fiber

[Fitting with the Shaft]

For the fitting between the shaft and the housing, the following values are recommended.

Condition		Shaft	Housing
Inner ring rotational load	Normal load	m6	H7
	Indeterminate load	n6	
Outer ring rotational load	Normal load	h7	M7
	Indeterminate load	k6	

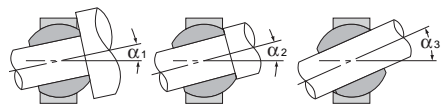
[Clearance]

Unit: mm

Radial clearance	0.03 or less
Axial clearance	0.1 or less

[Initial Lubrication]

This model can be used without lubrication. However, if desiring to provide initial lubrication, apply oil or grease to the spherical area.



Permissible Tilt Angles